



# MEGA FLOW FAN

**SLANTWALL  
(ASSEMBLED)**

**HIRED-HAND®**

(See Reverse Side for Framing & Shutter Installation Instructions)

## BEFORE INSTALLING

1. Inspect fan for damage in transit. Check for loose, missing, or damaged parts.
2. If there are any missing parts or if there is any shipping damage, do not attempt to operate fan. Contact your Distributor.

## WARNING!

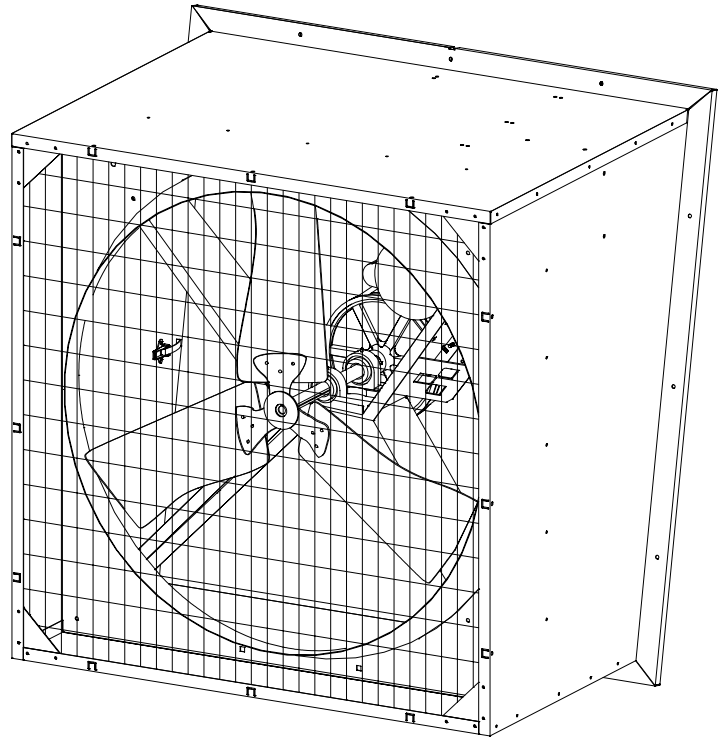
1. Disconnect power source before installing or servicing fan. Failure to disconnect power source can result in property damage, serious injury, or death.
2. When connected to an automatic controller, FAN MAY START AT ANY TIME.
3. **IMPORTANT!** Before Operating Fan, Inspect Fan For any Object That May Obstruct Blade Rotation.

## MAINTENANCE

1. Read WARNING statements before proceeding.
2. Blades, motor, and wire guards should be cleaned periodically to decrease vibration and ensure maximum fan life. Remove dirt with a dry brush or compressed air. **DO NOT SPRAY MOTOR WITH WATER OR CLEANING FLUIDS.**
3. Fan performance may be greatly reduced by damaged or dirty shutter. Clean and inspect shutter periodically to ensure maximum fan performance.

## IMPORTANT!

**When this fan is used in a life support ventilation system where failure could result in loss or injury, the user should provide adequate backup ventilation, or accept the risk of such loss or injury.**



## INSTALLATION

1. Fan should be securely mounted to wall. Refer to mounting instructions on sheet 3 of this manual.
2. Fan is provided with wire guard for your protection.  
*National safety codes require that guards be installed if within 7 feet (2.1 m) of floor or within reach of personnel or livestock.*
3. If thermostat is used, connect fan power cord to controller.

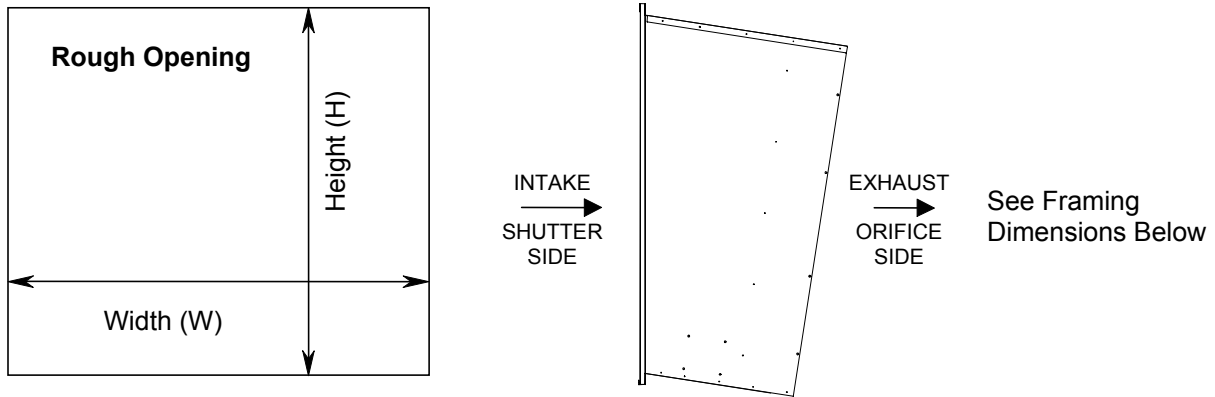
## WARRANTY

*Your Mega-Flow fan has been manufactured with the finest materials and components available and is backed by a one year warranty against electrical and mechanical defects in material and workmanship. If this fan fails to operate during this period, return it prepaid to place of purchase for repair or replacement without charge at the manufacturer's option.*

*This warranty gives you specific legal rights and you may have other rights that vary from state to state.*

# FRAMING INSTRUCTIONS

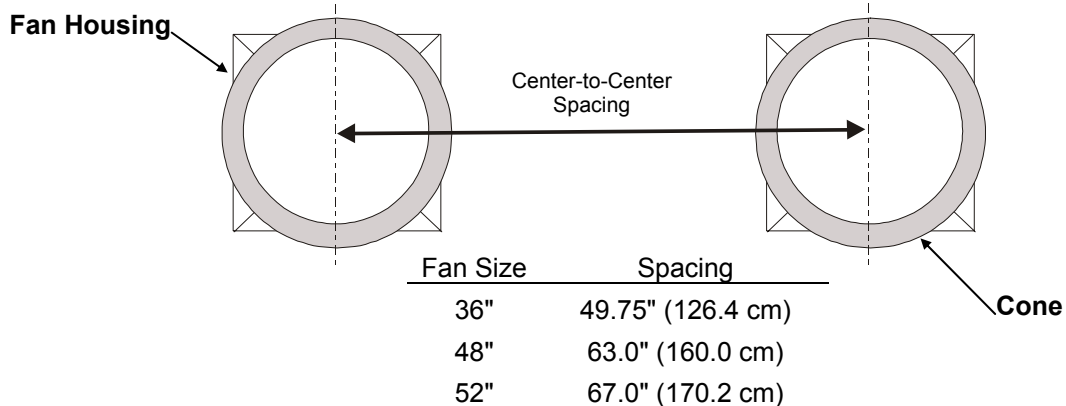
## FRAMING DIAGRAM



## FRAMING DIMENSIONS

Fan Size	Fan Model	Rough Opening	
		Width	Height
36"	Mega-Flow Slantwall	42.75" (108.6 cm)	43.75" (111.1 cm)
48"	Mega Flow /Econo Flow	54.75" (139 cm)	54.13" (137.5 cm)
48"	Mega Flow Slantwall	54.75" (139 cm)	55.75" (141.6 cm)
52"	Mega Flow Slantwall	56.75" (144.2 cm)	57.75" (146.7 cm)

## FAN SPACING WITH CONE



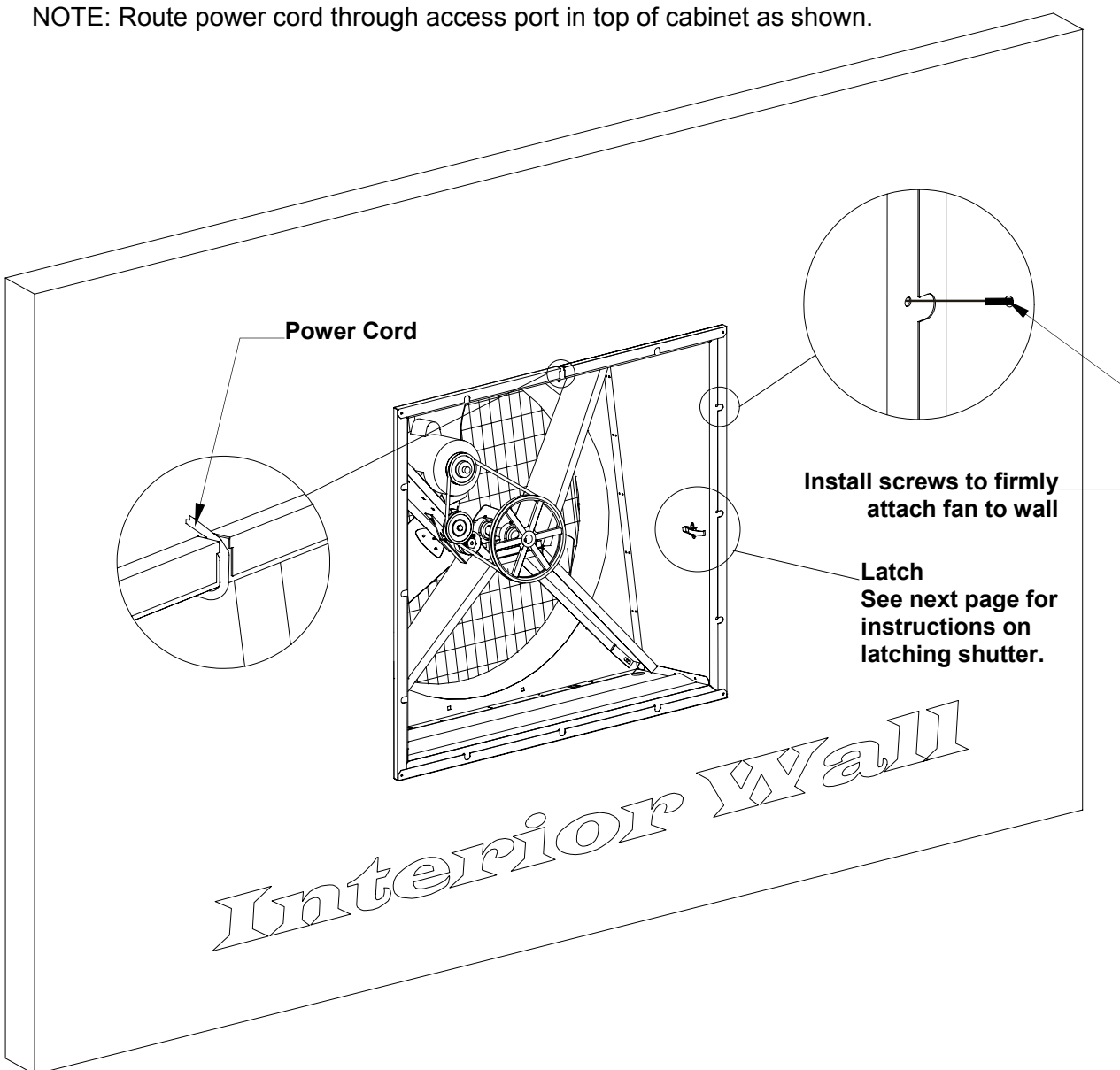
# MOUNTING INSTRUCTIONS

## CAUTION!

**Fan Is Heavy!**  
**Do Not Attempt To Lift Fan Without Sufficient Workers And Equipment.**

1. Carefully lift fan into position.
2. Securely attach fan to wall with screws (not provided).

NOTE: Route power cord through access port in top of cabinet as shown.



# SHUTTER INSTALLATION

## Shutter Fits Onto Intake Side Of Fan

1. Lift shutter.
2. Check that shutter is flush against housing at all points.
3. Manually open vanes of shutter to gain access to latches on fan housing. Lock shutter latches.
4. Installation complete.

With shutter in place, manually open vanes of shutter to access latch. Fasten latch (located inside fan housing) into slot in flange of shutter. Firmly lock down latch. Repeat procedure to latch opposite side of shutter.

Note: Latch is hidden in this view. See diagram on previous page.

